

# Series VNR Unidirectional valves

Ports of Thread version: M5, G1/8, G1/4, G3/8, G1/2, G3/4, G1  
Dimensions of Tube/Tube version: Ø4; Ø6; Ø8; Ø10; Ø12



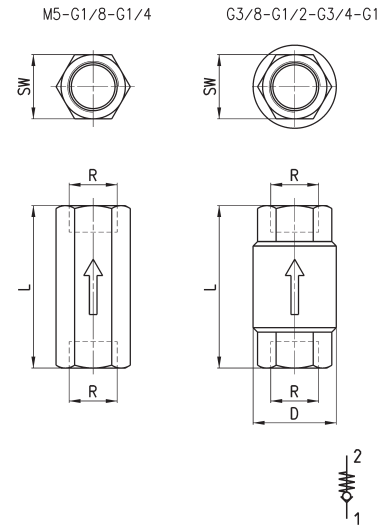
- » In-line mounting thanks to integrated fittings
- » Low operating pressures
- » Robust design, brass body
- » Version 6580 and 6510 in FKM with a wide range of chemical compatibility and operating temperatures extended.
- » Version for use with oxygen available

Series VNR unidirectional valves are available in the Thread or Integrated Fitting version. Thanks to their construction they operate at low pressures.

## GENERAL DATA

<b>Valve group</b>	automatic valves
<b>Construction</b>	poppet-type
<b>Materials</b>	brass body stainless steel spring NBR/FKM seals (for version 6580)
<b>Mounting</b>	in any position
<b>Dimensions thread version</b>	M5, G1/8, G1/4, G3/8, G1/2, G3/4, G1
<b>Dimensions tube version</b>	Ø4; Ø6; Ø8
<b>Operating temperature</b>	0 °C ÷ 80 °C; NBR (with dry air -20 / +80 °C) FKM (with dry air - 20 / +200 °C)
<b>Medium</b>	filtered air without lubrication. If lubricated air is used, it is recommended to use ISO VG32 oil. Once applied the lubrication should never be interrupted.

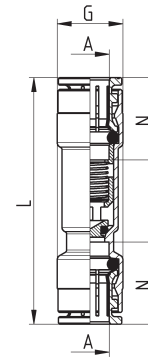
**Series VNR unidirectional valves**



DIMENSIONS							
Mod.	R	L	SW	D	Flow 6 bar $\Delta P1(Nl/min)$	Min. operating pressure (bar)	Max working pressure (bar)
VNR-205-M5	M5	25	8	9	50	1	10
VNR-210-1/8	G1/8	34	13	15	600	0.2	10
VNR-843-07	G1/4	43	17	20	1400	0.2	10
VNR-238-3/8	G3/8	55	23	34.5	3000	0.02	25
VNR-212-1/2	G1/2	58.5	27	34.5	5800	0.02	25
VNR-234-3/4	G3/4	65	33	41.5	8000	0.06	25
VNR-201-01	G1	74.5	40	48	13000	0.06	25

**Series VNR unidirectional valves**

**New**



Mod.	A	G	L	N	Flow 6 bar $\Delta P1(Nl/min)$	Min. operating pressure (bar)	Max operating pressure (bar)	Weight (g)
6580 4-VNR	4	9	40	14	85	0,5	10	13
6580 6-VNR	6	12	48	16	450	0,2	10	20
6580 8-VNR	8	14	52.5	17.5	900	0,2	10	30

